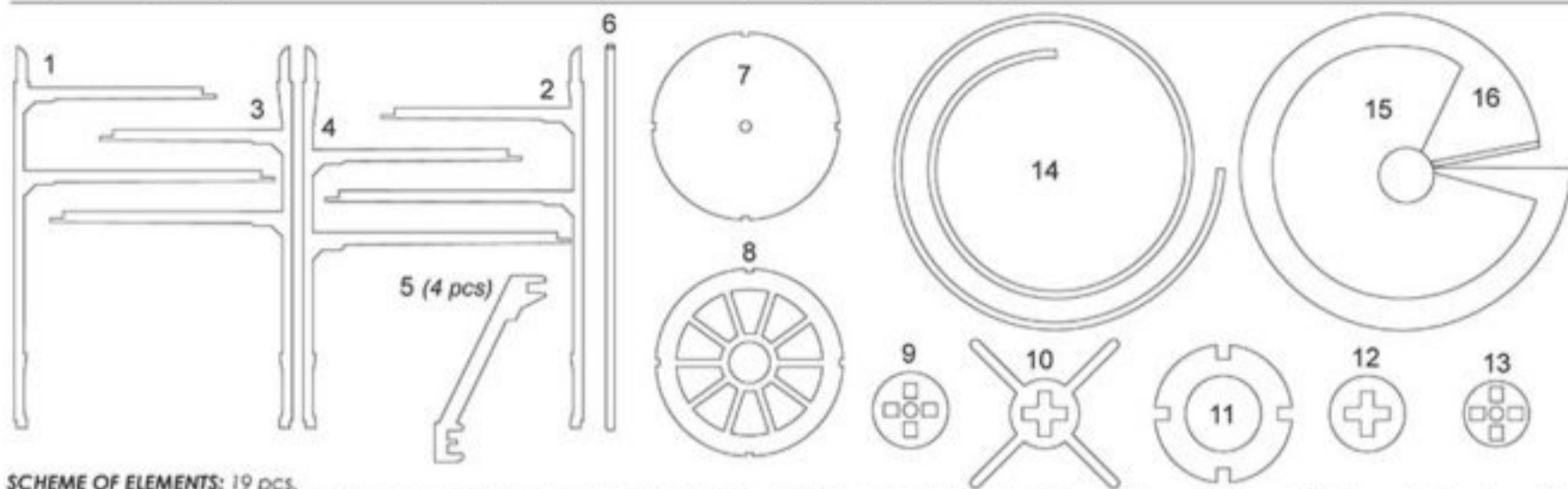


Leonardo's AERIAL SCREW

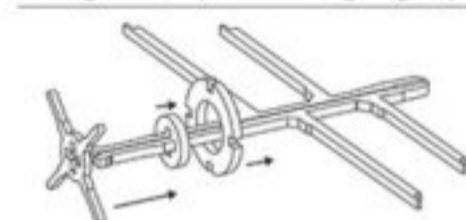
Mounting Instructions

This is not a toy. Assembly requires experience and knowledge of the materials contained within the box (Natural Sheets of Wood and Plywood). For this reason, use of the contents of the package must be carried out, **under the supervision of an adult.** The product is **not suitable for children under 3 years.** It contains small parts that could be swallowed or inhaled and also: **"To avoid Danger of Suffocation keep the plastic bags away from babies children and pets. Destroy immediately after opening the package".**



SCHEME OF ELEMENTS: 19 pcs.

1) FIRST Mast, 2) SECOND Mast, 3) THIRD Mast, 4) SECOND Mast, 5) Upright (4 pcs), 6) Central Axis, 7) Machine Base, 8) Round Platform, 9) Bottom Closing Ring, 10) Pushing Cross, 11) Middle Fixing Ring, 12) Rotating Middle Ring, 13) Locking Ring, 14) Spiral, 15) Top Sail with adhesive tape, 16) Bottom Sail.



Rotating group assembly

Keep joined the FIRST Mast (1) with the THIRD Mast (3) and insert them into the rings 11, 12 e 10 as shown in Fig 1.

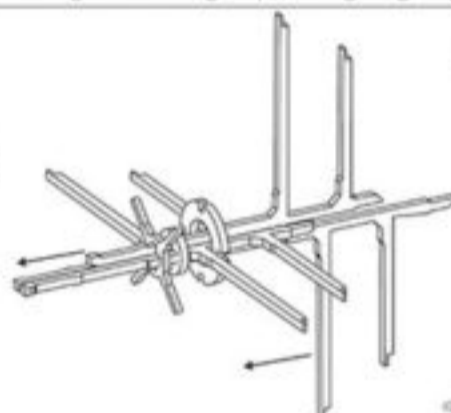


Fig. 2) Now, one by one, insert the SECOND Mast (2) and the FOURTH Mast (4)

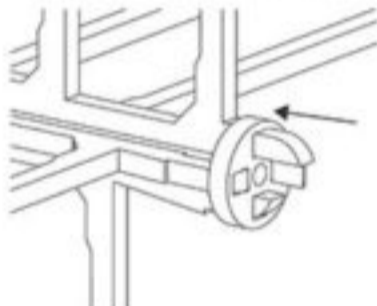


Fig. 3) Insert the Locking Ring (13) on the top part of the four Masts. The ring no. 13 is smaller than the Ring no. 9.

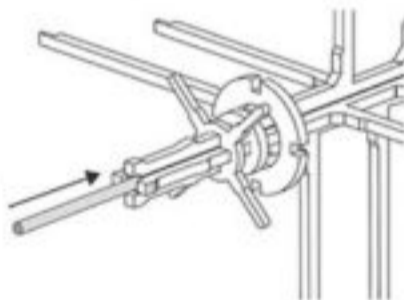


Fig. 4) If need, use one of the rubber bands in the package to fix the four Masts at the top. From the bottom, slide the Central Axis stick (6). The Masts will be entering in the joints of the Cross (10) and of the Disc (12)

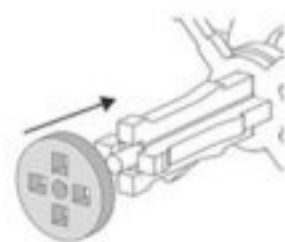


Fig 5) To complete the Rotating Group, insert the Bottom Closing Ring (9) into the Masts Joints

Fig 6) Glue the Central Axis stick (6) into the hole on the Base (7).

Stack the Round Platform (8) align the external joints and place only two Vertical Uprights by placing well in the joint.

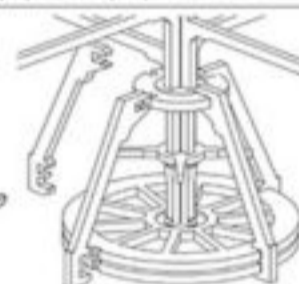
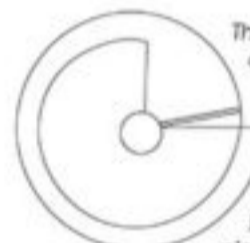


Fig 7) Insert the Rotating Group, previously assembled in the hole in the middle of the Round Platform and with the two uprights, lock the Middle Fixing Ring (11). On the inside, the Rotating Middle Ring (12) must be kept in place. The wider grooves of the Upright clamps, allowing the ring to rotate. Insert the other two uprights to close the structure

The spiral 14 is then glued on the arms of the shaft as shown in fig. 8



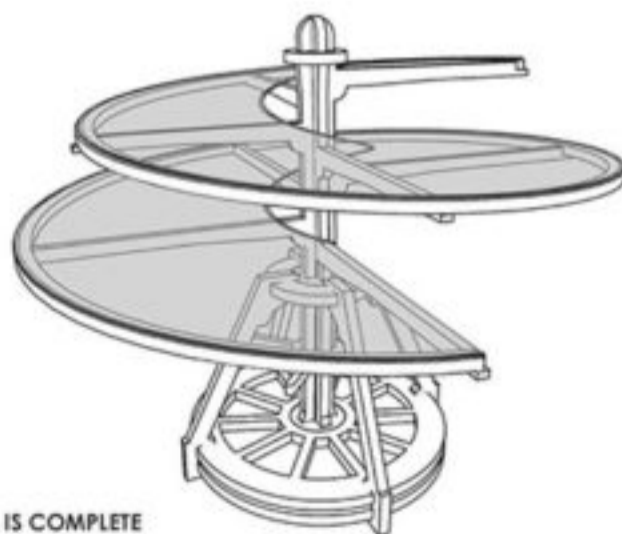
Attaching the fabric.



The SAIL to be fixed above the SPIRAL is composed of two pieces that must be joined together, using the strip of adhesive that is located on the larger piece. Place the smaller piece above the larger one, as shown in fig. 7. Remove the protective strip of the tape and glue the two pieces, keeping them in this position.



Slide the fabric with a screw movement (fig.9). Glue the fabric on the wood starting from the bottom up to the top of the Spiral.



THE MODEL IS COMPLETE

We recommend that you open the package and place all pieces on a level surface, as they are displayed in the "Scheme of the Components". Use PVA Glue, if you can. The best result is achieved by spreading the glue with a small brush. Hold the pieces in place, while the glue is drying, using clamps or adhesive tape.



HISTORICAL MODELS TO ASSEMBLE

For any assembly problem, missing or damaged component, please contact: help@davela.it

email: info@davela.it