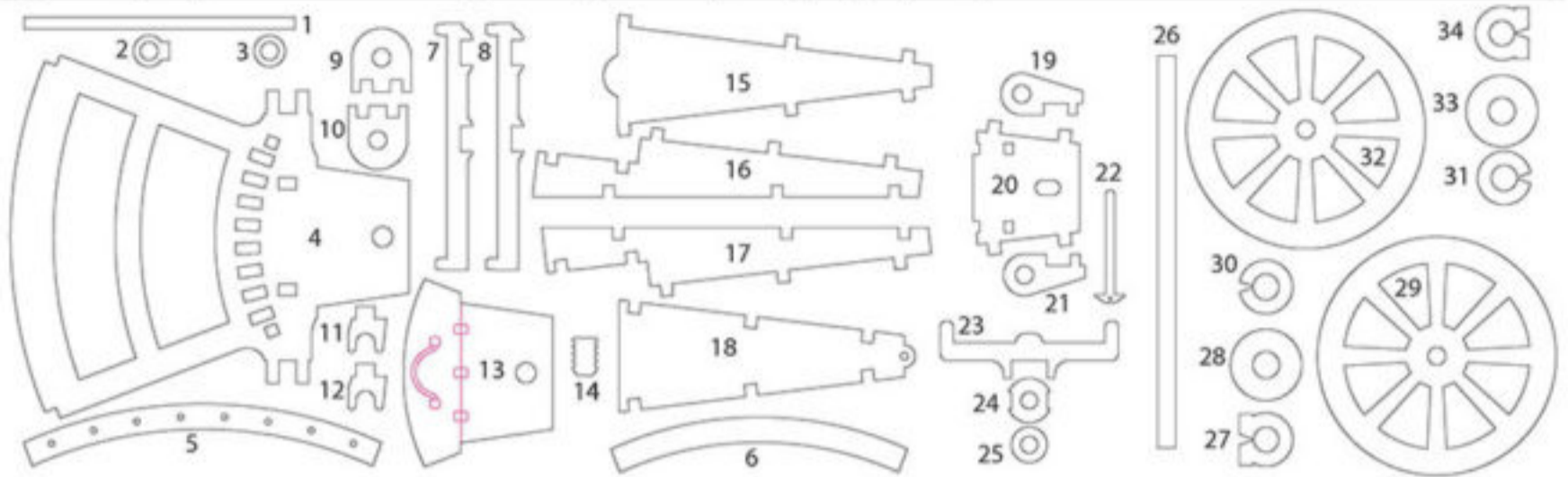


# Leonardo's MACHINE GUN

## Mounting Instructions

**This is not a toy.** Assembly requires experience and knowledge of the materials contained within the box (Natural Sheets of Wood and Plywood). For this reason, use of the contents of the package must be carried out, **under the supervision of an adult.** The product is **not suitable for children under 3 years.** It contains small parts that could be swallowed or inhaled and also: **"To avoid Danger of Suffocation keep the plastic bags away from babies children and pets. Destroy immediately after opening the package".**



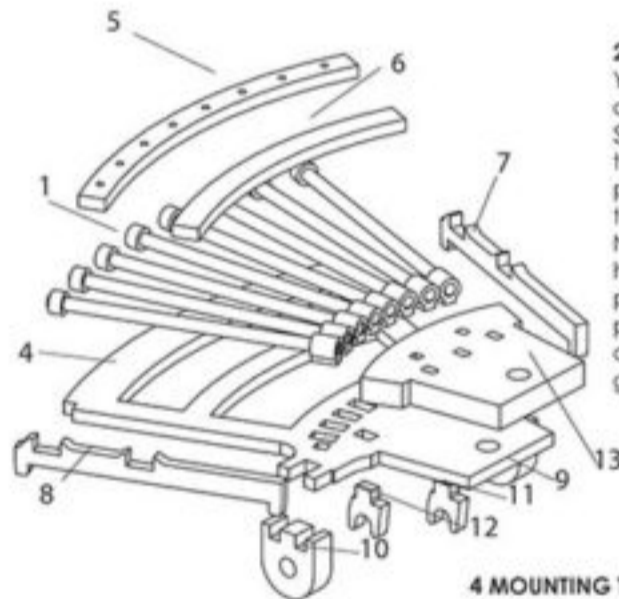
### Scheme of Elements: 54 pieces.

1)Barrels (8 pcs.), 2)Barrel Rear Joint(8 pcs), 3)Barrel front Ring(8 pcs), 4)Barrel Base, 5)Barrel Front Lock, 6)Barrel Middle Lock, 7)Right Side, 8)Left Side, 9)Right Wheel Holder 10)Left Wheel Holder, 11)Axle Centering Piece, 12)Axle Centering Piece, 13) Rump, 14)Thread Cylinder, 15)Carriage Base, 16)Carriage/ Right Side, 17)Carriage / Left Side, 18)Carriage / Top Side, 19)Carriage /Axle connecting piece, 20)Carriage front 21)Carriage/Axle connecting piece, 22) Shooting Adjustment Screw, 23) Handle, 24)Handle Junction Ring, 25)Screw Junction Ring, 26)Wheel, 27)Blocking Ring, 28)Washer, 29)Left Wheel, 30)Blocking Ring, 31)Blocking Ring, 32)Right Wheel, 33)Washer, 34)Blocking Ring.



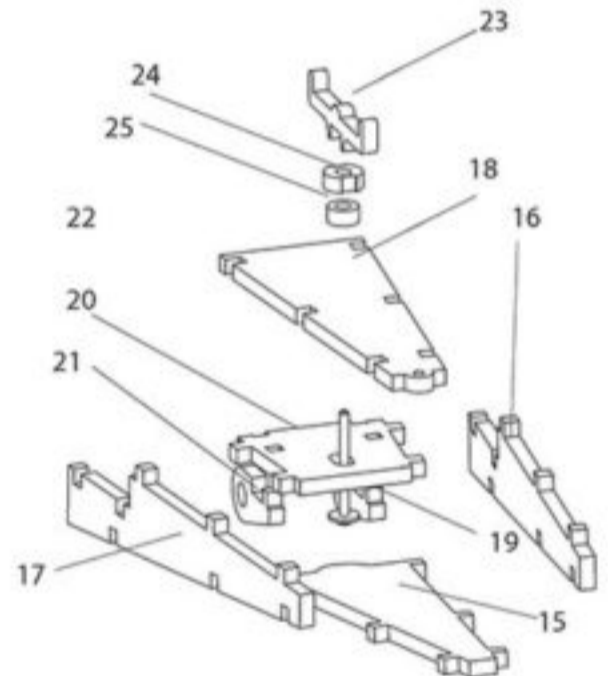
### 1) ASSEMBLY OF THE GUNS

Start with the stick (1) and glue the two rings (2 and 3). If you have problems, use the sand paper (enclosed) on the stick until it can fit in the hole of the two little rings.



### 2) ASSEMBLY OF THE GUNS BOX

You can consider this part as a box made to contain the eight barrels. Start with fixing the 2 side ends (7 and 8) on the Gun Base (4). Now glue the 8 barrels, previously assembled, in the square holes on the base (4) as shown in fig.3. Now, glue the "Rump" (13), take care that the holes on pieces number 13 and number 4 are perfectly aligned. Proceed to fix from above, pieces 5 and 6 and from below, first glue the centering forks 11 and 12 and finally, fix well with glue the two externals 10 and 11.



### 3)ASSEMBLY OF RUMP GROUP

Glue together the pieces 15, 16, 17 and 18. Glue on to piece 20 (Carriage Front) the two pieces 19 and 21. Now insert the screw upside down as shown in Fig. 5. Do not touch now the pieces 23,24 and 25, they will be mounted for last, to close the model

### 4 MOUNTING THE WHEELS

See fig. 4 to help you in this procedure. Insert Axle 26 in the left hole of piece 10 that now is on the previously assembled "GUNS BOX". Insert immediately ring 30. Continue pushing the axle inside it will pass through several pieces (see picture 4). Before passing through the last hole, insert the ring 30. Now let pass the Axle to the opposite side.

Now the axle, extends from both sides of the model. Insert the right wheel 29, followed by the ring 28 and finally, the ring 27. You need to slightly force this ring but if you find the wheel is not stable enough, you can use the glue to fix everything in place. Now do the same to the Left Wheel and parts.

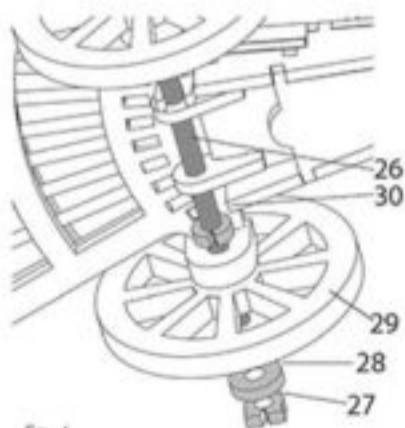
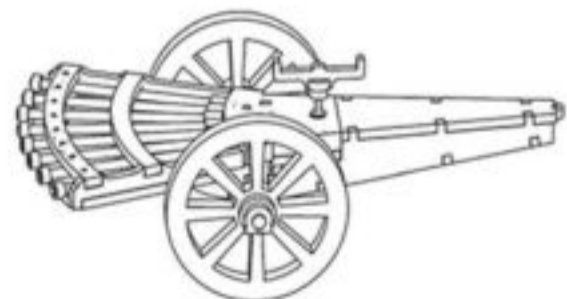


fig. 4



THE MODEL IS COMPLETE

We recommend that you open the package and place all pieces on a level surface, as they are displayed in the "Scheme of the Components". Use PVA Glue, if you can. The best result is achieved by spreading the glue with a small brush. Hold the pieces in place, while the glue is drying, using clamps or adhesive tape.