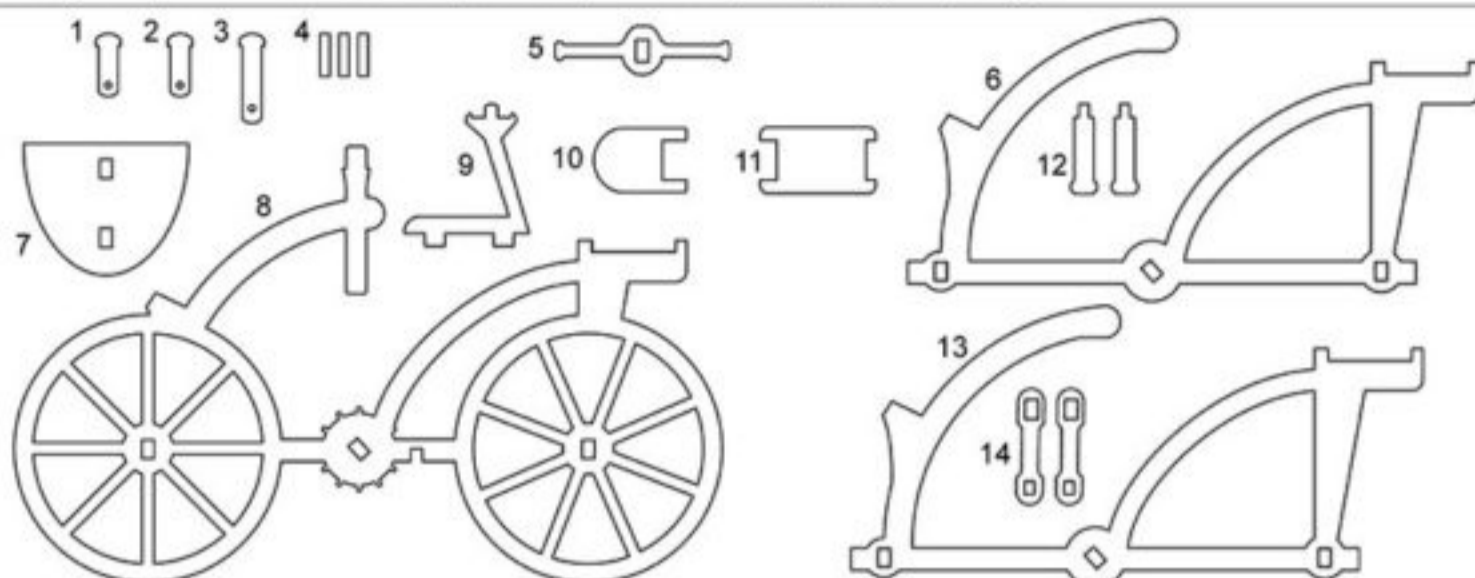


# Leonardo's BICYCLE

## Assembly Instructions

**This is not a toy.** Assembly requires experience and knowledge of the materials contained within the box (Natural Sheets of Wood and Plywood). For this reason, use of the contents of the package must be carried out, **under the supervision of an adult.**

The product is **not suitable for children under 3 years.** It contains small parts that could be swallowed or inhaled and also: **"To avoid Danger of Suffocation keep the plastic bags away from babies children and pets. Destroy immediately after opening the package".**



**SCHEME OF THE COMPONENTS:** 18 pieces

1) Front Pinion, 2) Rear Pinion, 3) Pedal Pinion, 4) Pins (3 pcs.), 5) Handbar, 6) Left Side, 7) Rod of Holder, 8) Central Body, 9) Holder base, 10) Holder, 11) Seat, 12) Pedals (2 Pcs.), 13) Right Side, 14) Pedals (2 Pcs.).

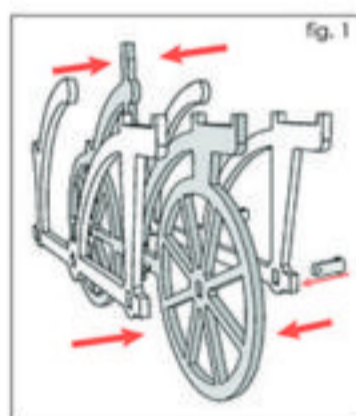


fig. 1

**INIZIO**

### JOIN THE MAIN BODY

Glue the three components 6, 8 e 13. Use the pinions 1 e 2 to correctly align the pieces (Fig.1)

Insert the two pins (4) into the hole of the pinions.

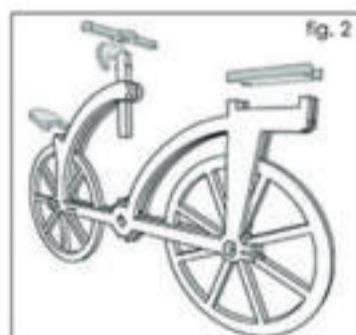


fig. 2

Glue the pieces 5, 10 and 11, as shown in fig. 2.



fig. 3

### Assembling the Stand

Glue the pieces 7 and 9 as shown on Fig. 3.

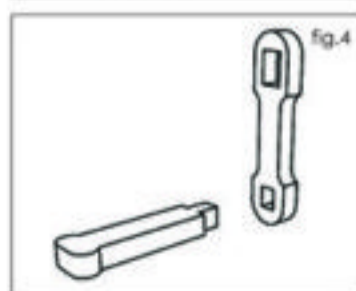


fig. 4

### PEDALS

Glue together the pieces 12 and 14. Repeat the same operation on the second pedal and let them to dry.

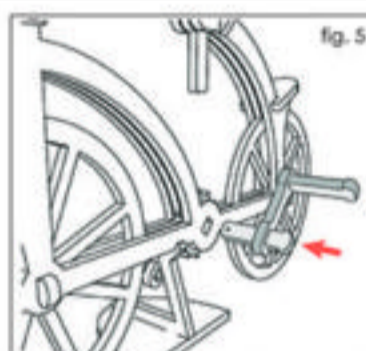


fig. 5

When the pedals and stand will be dry, fix the pedal to the body. Use the long pinion as shown on fig. 5

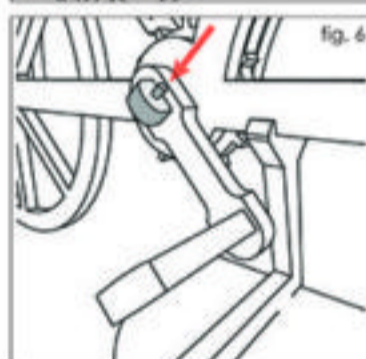
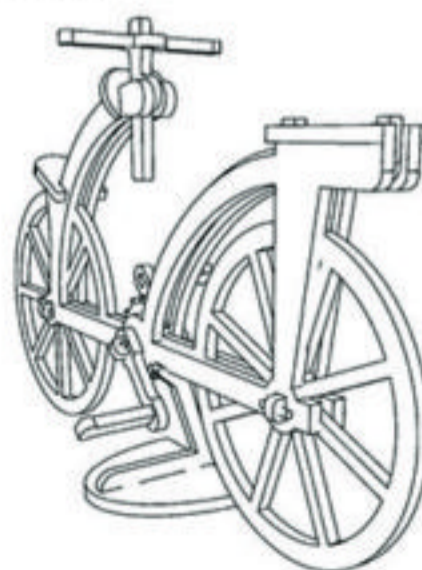


fig. 6

Insert the second pedal on the opposite side. Use the Pin (4) to fix the pedals to the pinion.

**The BICYCLE is ready.**



We recommend that you open the package and place all pieces on a level surface, as they are displayed in the "Scheme of the Components". Use PVA Glue, if you can. The best result is achieved by spreading the glue with a small brush. Hold the pieces in place, while the glue is drying, using clamps or adhesive tape.