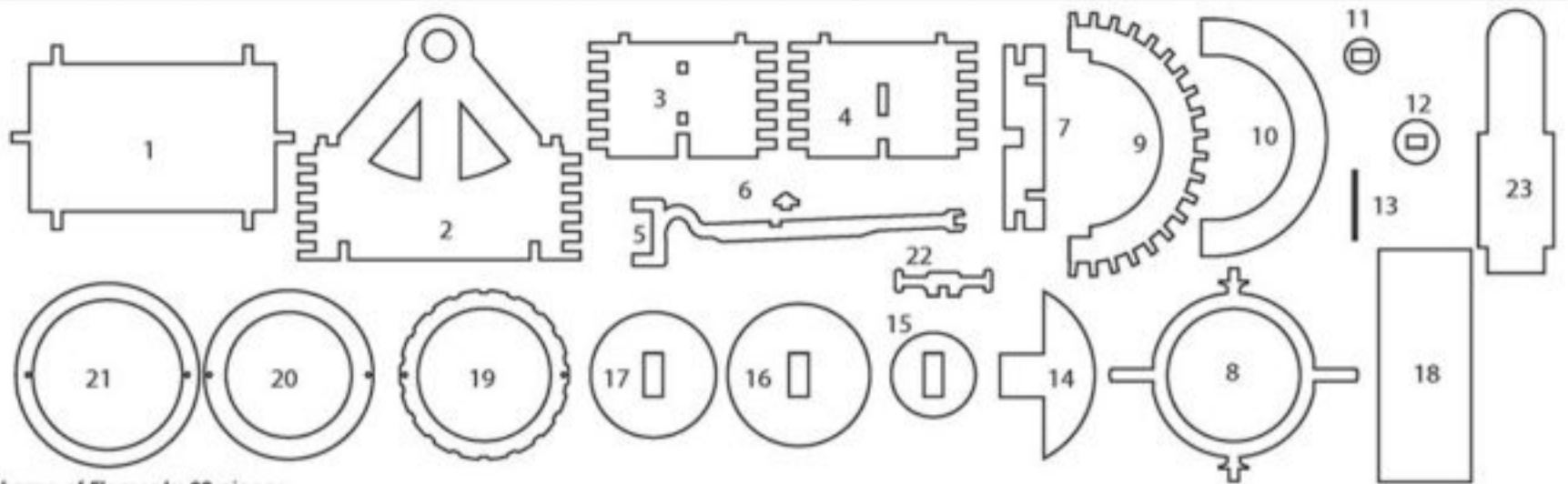


# Leonardo's BOMBARDA

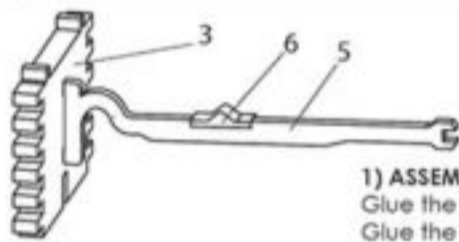
## Mounting Instructions

This is not a toy. Assembly requires experience and knowledge of the materials contained within the box (Natural Sheets of Wood and Plywood). For this reason, use of the contents of the package must be carried out, under the supervision of an adult. The product is not suitable for children under 3 years. It contains small parts that could be swallowed or inhaled and also: "To avoid Danger of Suffocation keep the plastic bags away from babies children and pets. Destroy immediately after opening the package".



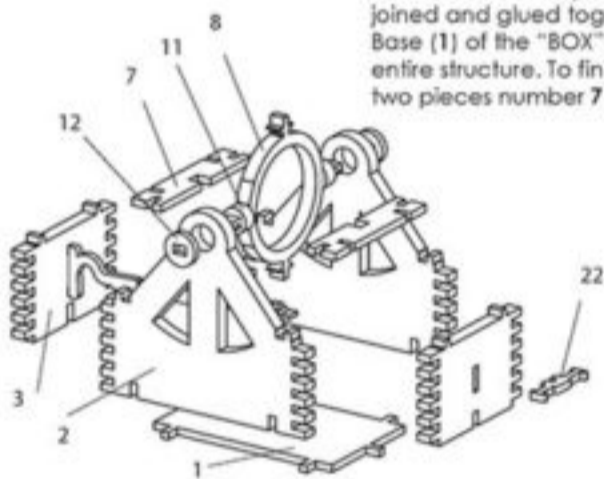
**Scheme of Elements: 28 pieces.**

1) Box Base, 2) Upright 2 pcs, 3) Front Upright, 4) Rear Upright, 5) Lock/Unlock Bar 6) Bar Nail, 7) Box Top Part (2 pieces), 8) Barrel Holder Ring 9) Rack, 10) Rack side reinforcements, 11) Bearing, 13) Bearing Cover Ring, 14) Rump, 15) Rear Cannon Ring, 16) Rear Cannon Ring, 17) Rear Cannon Ring (2 pcs.), 18) Barrel wooden plate, 19) Front Cannon Ring, 20) Front Cannon Ring, 21) Front Cannon Ring, 22) Bar Handle, 23) Assembly tool.



### 1) ASSEMBLY OF THE BOX

Give the Nail (6), in the space of the bar (5). Give the bar inside the holes of piece no 3. Now assemble together all the vertical pieces of the "Box" (2,3 and 4). Before joining these parts, put the 2 axis of piece 8 inside the Top Hole of the masts (2). When the vertical parts of the "Box" are joined and glued together, insert the bottom Base (1) of the "BOX". This will stabilize the entire structure. To finish the box, glue the two pieces number 7 as shown on fig.2.

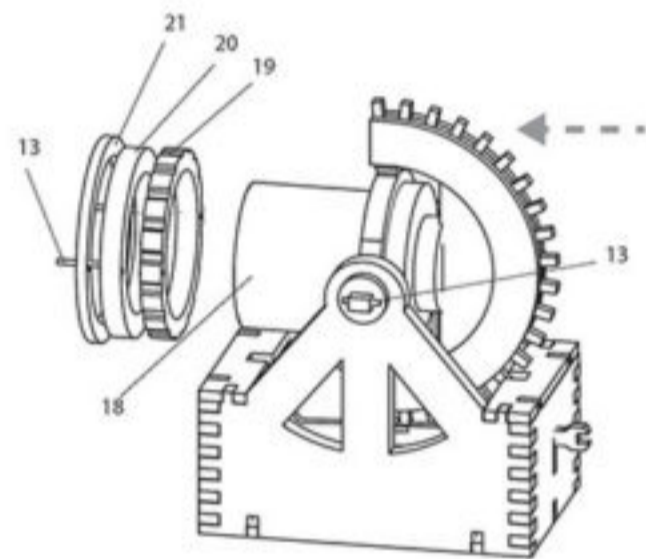
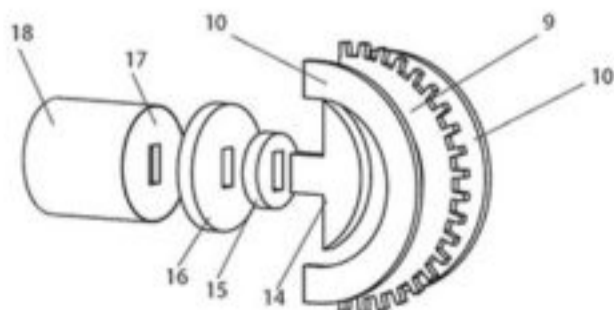


### 2) MAKING THE CANNON BARREL

See the enclosed sheet.

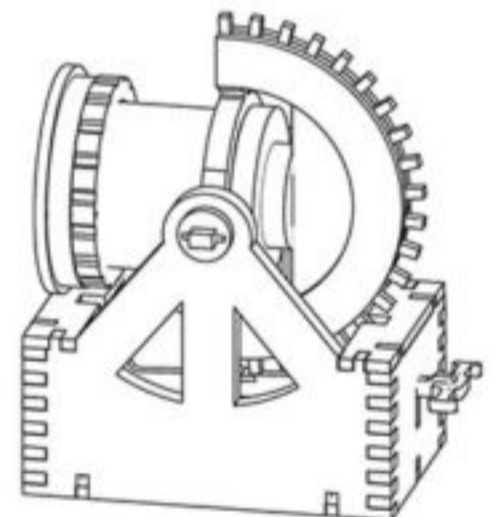
### 3) ASSEMBLY OF THE CANNON

See fig. 3 to do this operation correctly.



### 4) FINAL ASSEMBLY

Insert the piece just made using the joints of the Cannon Holder Ring (8) and the joints of the Rack (9) as shown in Fig.4. Glue together the pieces (19, 20 and 21), using the pins (13) to perfectly align them. Now, glue the 3 pieces on the front part of the Barrel (18). Refer to Fig. 4. to do this operation correctly.



THE MODEL IS COMPLETE

We recommend that you open the package and place all pieces on a level surface, as they are displayed in the "Scheme of the Components". Use Vinyl Glue, if you can. The best result is achieved by spreading the glue with a small brush. Hold the pieces in place, while the glue is drying, using clamps or adhesive tape.